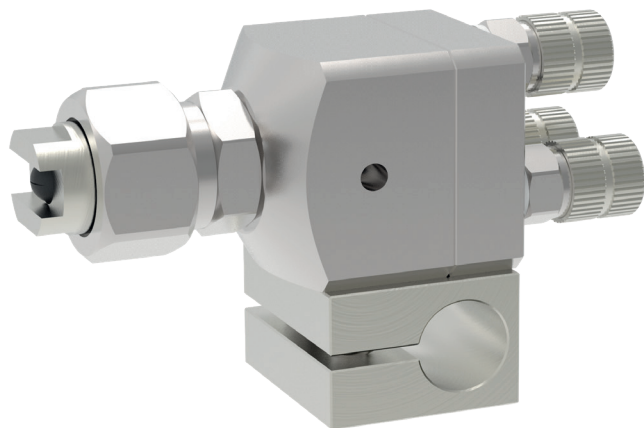


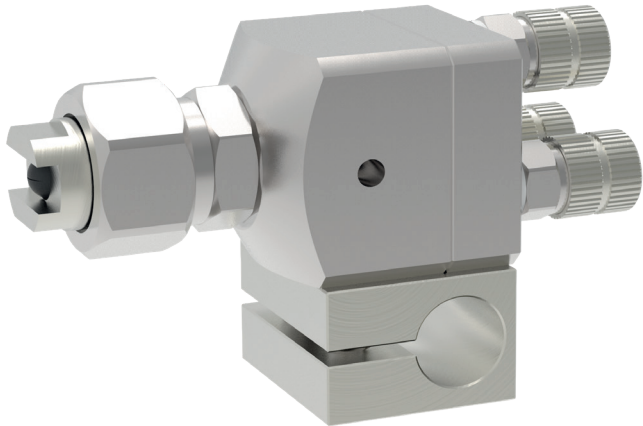
## Automatic-spray valve KA-2 / AIRLESS



**schütze**  
SPRAYTECHNOLOGY



# Automatic-spray valve KA-2 / AIRLESS



The KA-2 / AIRLESS automatic spray valve is an airless atomising spray valve. The material to be processed is supplied to the device at high pressure. A special AIRLESS nozzle is responsible for the atomisation.

Due to its small dimensions, the KA-2 / AIRLESS is ideal for all applications where space is very limited.

The valve can be controlled either with an air connection („control air for opening, only spring pressure for closing“) or with two air connections („control air for opening, control air and spring pressure for closing“).

The KA-2 / AIRLESS automatic spray valve can be equipped with all commercially available AIRLESS nozzles.

The KA-2 / AIRLESS can also be optionally equipped with various extensions.

## Technical data:

<b>Material pressure:</b>	max. 150 bar (with two air connections) max. 120 bar (with one air connection)
<b>Control air pressure:</b>	5 – 6 bar
<b>Measurements:</b>	60 x 25 x 25 mm
<b>Weight:</b>	approx. 140 g
<b>Valve body:</b>	stainless steel
<b>Needle seat:</b>	stainless steel
<b>Needle:</b>	tungsten carbide
<b>Gaskets:</b>	Viton® (other materials on request)

Special designs on request.  
Technical alterations reserved.  
For further information please contact us.