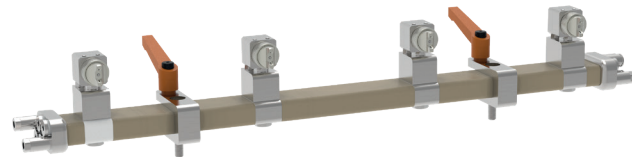


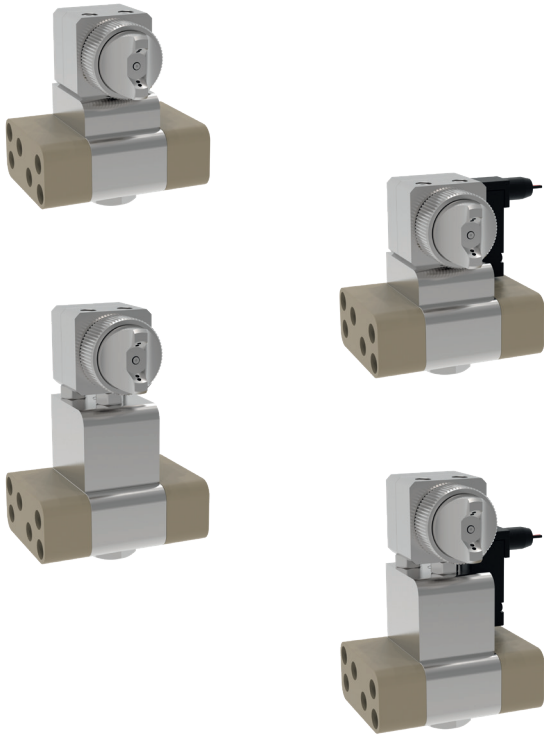
Spray beam for automatic-spray valve KA-2



schütze
SPRAYTECHNOLOGY



Spray beam for automatic-spray valve KA-2

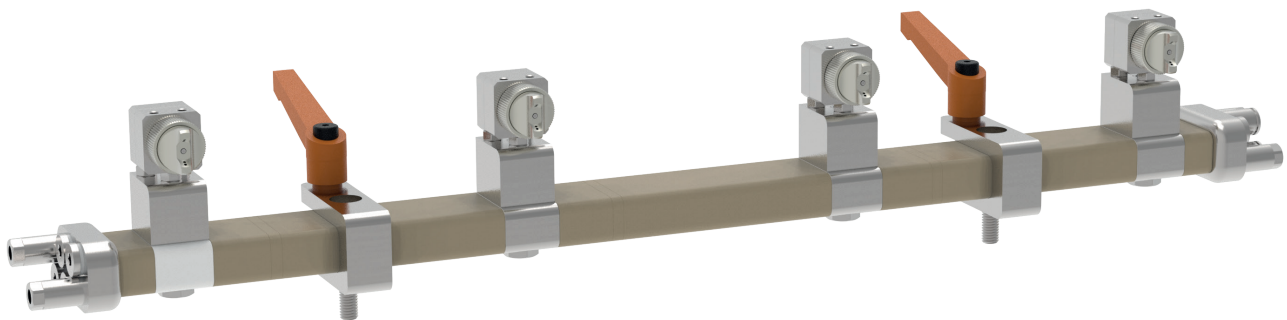


The spray beam for automatic-spray valves of series KA-2 are designed for connecting multiple spray valves without hoses. Each spray valve is connected via plate or quick release adapter to the spray beam. Control of valve can be done via external solenoids or direct mounted solenoids.

The distance between the spray valves is defined by the length of spacers. Different lengths are possible. On each side of spray beam different connecting plates are available. Also material circulation is possible.

The spray valves KA-2 are made from stainless steel (V2A). Alternatively they are also available made from stainless steel V4A. Spacers are made from PEEK with FDA approval. So the spray beam is also useable f.i. in food- or medicine-industry.

The gently rounded form of spacers and connecting plates support the easy cleaning. To fix the complete spray beam, U-shaped clamps with release handle are available.



Special designs on request.
Technical alterations reserved.
For further information please contact us.