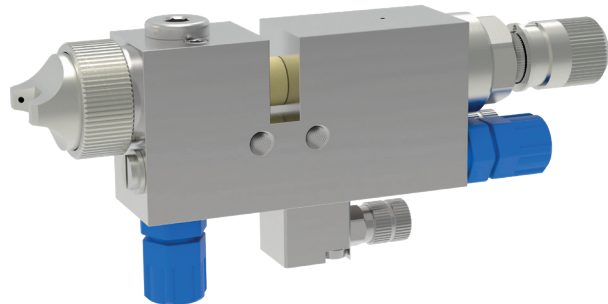
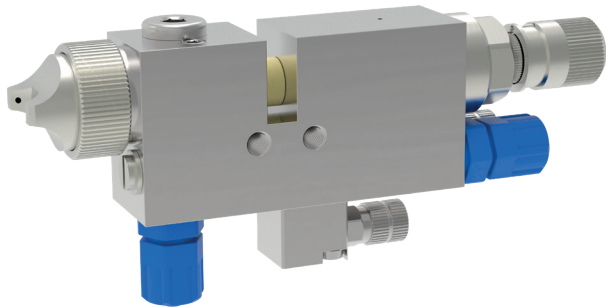


## MKD-IS/ES spray valve



**schütze**  
SPRAYTECHNOLOGY





The MKD-IS/ES spray valve is a pneumatically controlled applicator for processing spray materials, e.g. release agents, adhesives or paints. It is suitable for both continuous and intermittent application.

The control air for opening and closing is supplied to the spray valve via a 5/2-way valve (not included in the scope of supply).

An additional M5 connection port is available for material circulation. It can be equipped with a hose connection as necessary.

The function of the needle is:  
to open in response to compressed air and to close in response to spring pressure.

- Available nozzle sizes:  
ø 0.2 / 0.3 / 0.5 / 0.8 / 1.0 / 1.2 / 1.5 / 2.0 / 2.5 mm
- Raster regulation for easy setting of the material flow
- Available with optional normal regulation  
(adjustment using hexagon socket screw)
- Various nozzles and air caps for individual adjustment of the spray pattern
- Adjustable blowing deactivation delay time

## Technical data:

### Dimensions:

approx. 125 x 22 x 79.5 mm (round spray pattern air cap)  
approx. 128.5 x 22 x 79.5 mm (flat spray pattern air cap)

### Weight:

approx. 500 g

### Control air pressure:

max. 6 bar

### Atomising air pressure:

0.5 - 5 bar

### Material pressure:

max. 50 bar

Special designs on request.  
Technical alterations reserved.  
For further information please contact us.