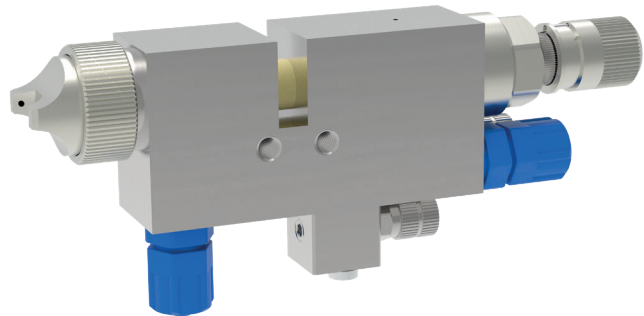
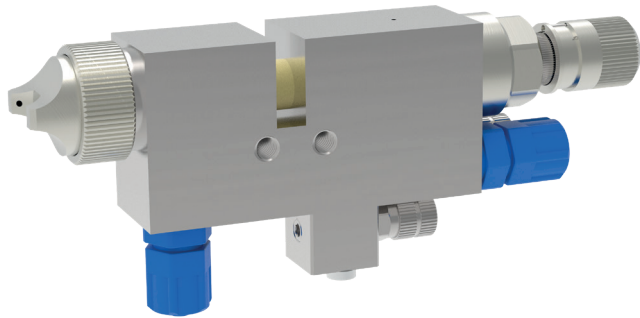


## MKDD-S-ES spray valve



**schütze**  
SPRAYTECHNOLOGY





The spray valves of the MKDD-S-ES series have been specially developed for the application of adhesives, and are suitable for both intermittent and continuous application. Short air routes in the body make for very quick and exact intermittences.

The control air is supplied to the spray valve via a 3/2-way valve (not included in the scope of supply). Atomising air is supplied via a 2/2-way valve (not included in the scope of supply either).

Two drill holes with M5 internal threads are used for installation. Holding brackets are available as special accessories.

The function of the needle is:  
to open in response to air pressure and to close in response to air pressure.

- Available nozzle sizes:  
ø 0.2 / 0.3 / 0.5 / 0.8 / 1.0 / 1.2 / 1.5 / 2.0 / 2.5 mm
- Raster regulation for easy setting of the material flow
- Various nozzles and air caps for individual adjustment of the spray pattern

## Technical data:

<b>Dimensions:</b>	131 x 23.5 x 57.5 mm (flat spray pattern air cap)
<b>Weight:</b>	approx. 500 g
<b>Control air pressure:</b>	5 - 6 bar
<b>Atomising air pressure:</b>	Depends on the desired application pattern
<b>Material pressure:</b>	max. 35 bar

Special designs on request.  
Technical alterations reserved.  
For further information please contact us.