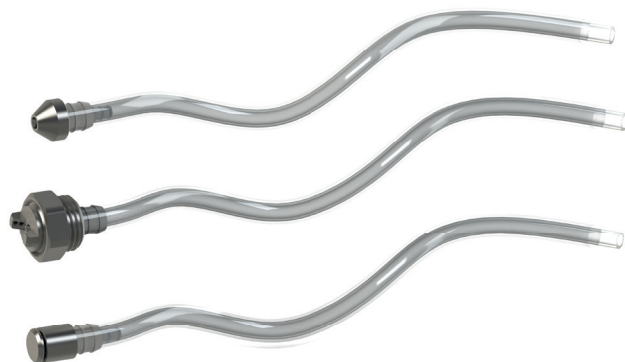
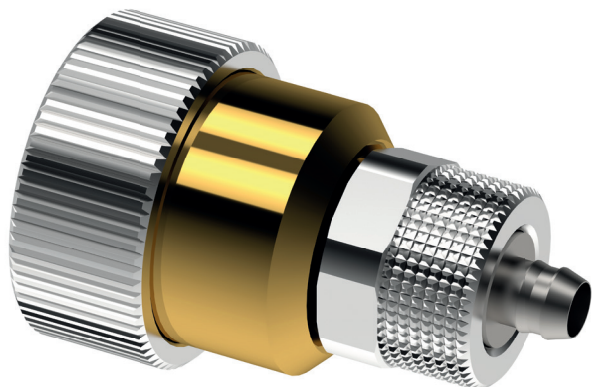


COAXIAL-SPRAYNOZZLE SD-K



schütze
SPRAYTECHNOLOGY





The SCHÜTZE coaxial spraynozzle SD-K serves the purpose of air assisted spraying of liquids with low viscosity. Its unique design brings the possibility of using it in places which are difficult to get to.

The result of the coaxial layout of atomizing air and material hose is a very flexible system, which enables to spray on surfaces a standard nozzle extension would not be able to reach.

- multiple nozzle diameters
- various hose sizes
- round spray / flat spray and circular jet versions
- variants with or without connection threads for mounting
- adapters for connecting the SD-K to a SCHÜTZE spray valve or assimilation into an externally controlled hose line

Technical data:

dimensions:	ø4 – ø12 mm
weight:	1 - 6 g
material pressure:	max. 10 bar
atomizing air pressure:	0,5 - 5 bar
nozzle diameters:	ø 0.1 / 0.2 / 0.3 / 0.5 / 0.8 / 1.0 / 1.1 / 2.0 mm
connection threads:	M6 / M7x0,75 / M8 / M10 / G1/8"

Special designs on request.
 Technical alterations reserved.
 For further information please contact us.